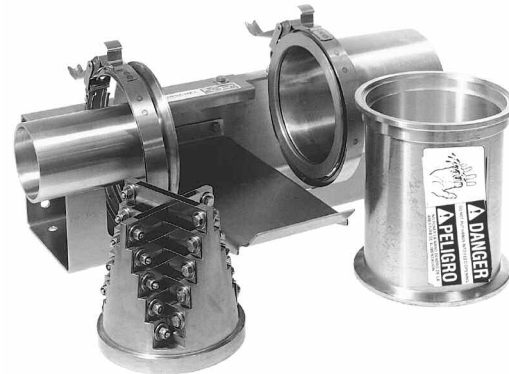


Urschel® Model 360 Watergun

Clean, Accurate Watergun Cutting



SPECIFICATIONS

Length: 21.75" (552 mm)
Width: 14.50" (368 mm)
Height: 11.00" (279 mm)
Net Weight: 92 lb (42 kg)

APPLICATIONS

The Urschel® Watergun Model 360 is designed for use in large volume watergun systems. This unit can be integrated into watergun systems and offers fast, easy cutting head replacement for changing knives or sizes of cuts. Infeed diameter measures 3.375" (86 mm) and a discharge diameter measures 5.820" (148 mm). The Model 360 is designed for easy cleanup and maintenance.

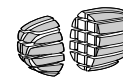
OPERATING PRINCIPLE

Potatoes to be cut are propelled by water through tubing to the watergun unit. The velocity of the potato at the watergun unit should be in the range of 50 to 60 feet per second (15 to 18 m/s). The pump should be selected to provide proper volume and velocity of the water with an impeller designed to minimize the possibility of damage to the potatoes.

TYPES OF CUTS

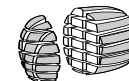
Square Strips:

- .250" (6.4 mm)
- .281" (7.1 mm)
- .290" (7.4 mm)
- .300" (7.6 mm)
- .313" (8.0 mm)
- .344" (8.7 mm)
- .375" (9.5 mm)
- .406" (10.3 mm)
- .438" (11.1 mm)
- .469" (11.9 mm)
- .500" (12.7 mm)
- .563" (14.3 mm)
- .625" (15.9 mm)
- .750" (19.1 mm)



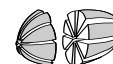
Rectangular Strips

- .281 x .406" (7.1 x 10.3 mm)
- .281 x .594" (7.1 x 15.1 mm)
- .290 x .313" (7.4 x 8.0 mm)
- .313 x .375" (8.0 x 9.5 mm)
- .313 x .750" (8.0 x 19.1 mm)
- .315 x .385" (8.0 x 9.8 mm)
- .330 x .395" (8.4 x 10 mm)
- .344 x .469" (8.7 x 11.9 mm)
- .375 x .750" (9.5 x 19.1 mm)
- .438 x .750" (11.1 x 19.1 mm)
- .438 x .875" (11.1 x 22.2 mm)



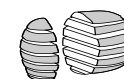
Segment Cuts:

4, 8, or 12

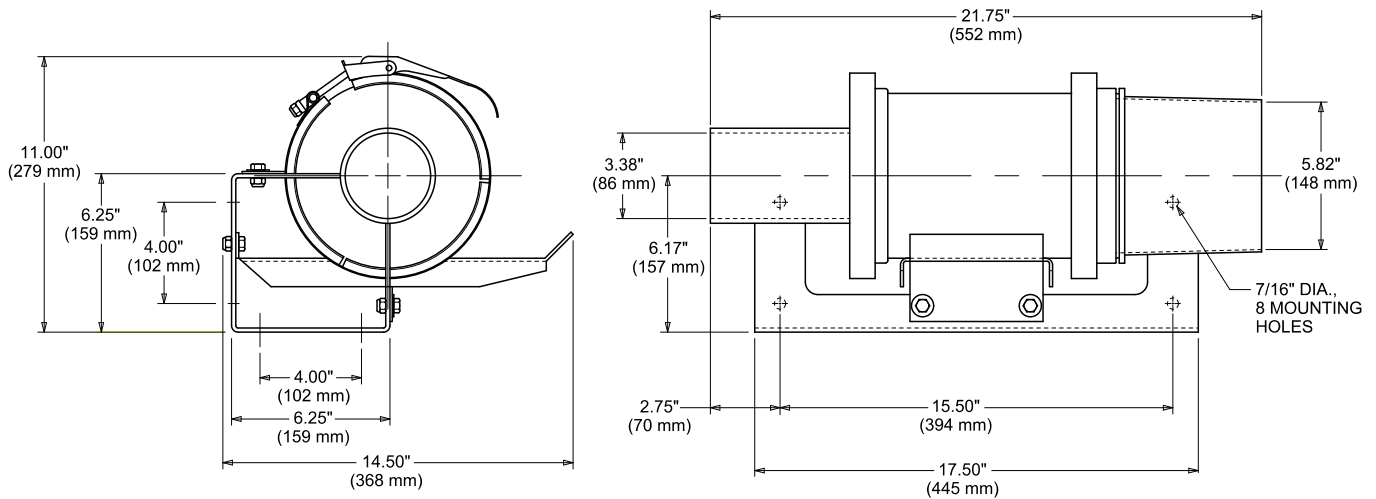


Slabs:

A wide range of slab cut sizes is available to meet your product requirements.

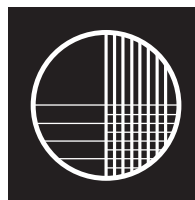


Watergun Model 360 Dimensional Drawing



Your Product Can Be Test Cut

Urschel Laboratories has a complete network of test facilities and experienced service and sales representatives around the world ready to work for you on any size reduction application. Contact your local Urschel Laboratories' representative to schedule a comprehensive, no-obligation test today at www.urschel.com



URSCHEL LABORATORIES INCORPORATED

2503 Calumet Avenue, P.O. Box 2200
Valparaiso, Indiana 46384-2200 U.S.A.
219/464-4811 Fax: 219/462-3879

<http://www.urschel.com>
E-mail: info@urschel.com

**Designers and manufacturers of
precision size reduction equipment.**

©Urschel is a registered trademark of Urschel Laboratories, Inc.